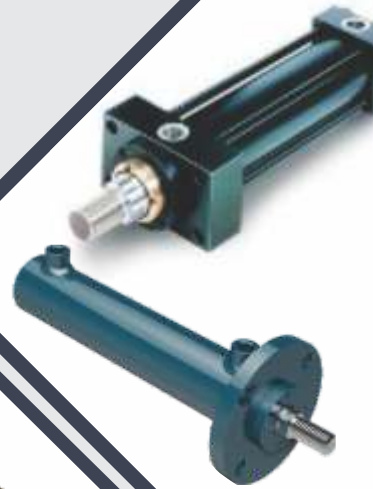


MechOcean

ENGINEERING | TRUST | QUALITY



Leader in
**Hydraulics
Automation**
& Machine Tools Technology

MECHOCEAN MACHINES
INDIA PVT. LTD.



The Company

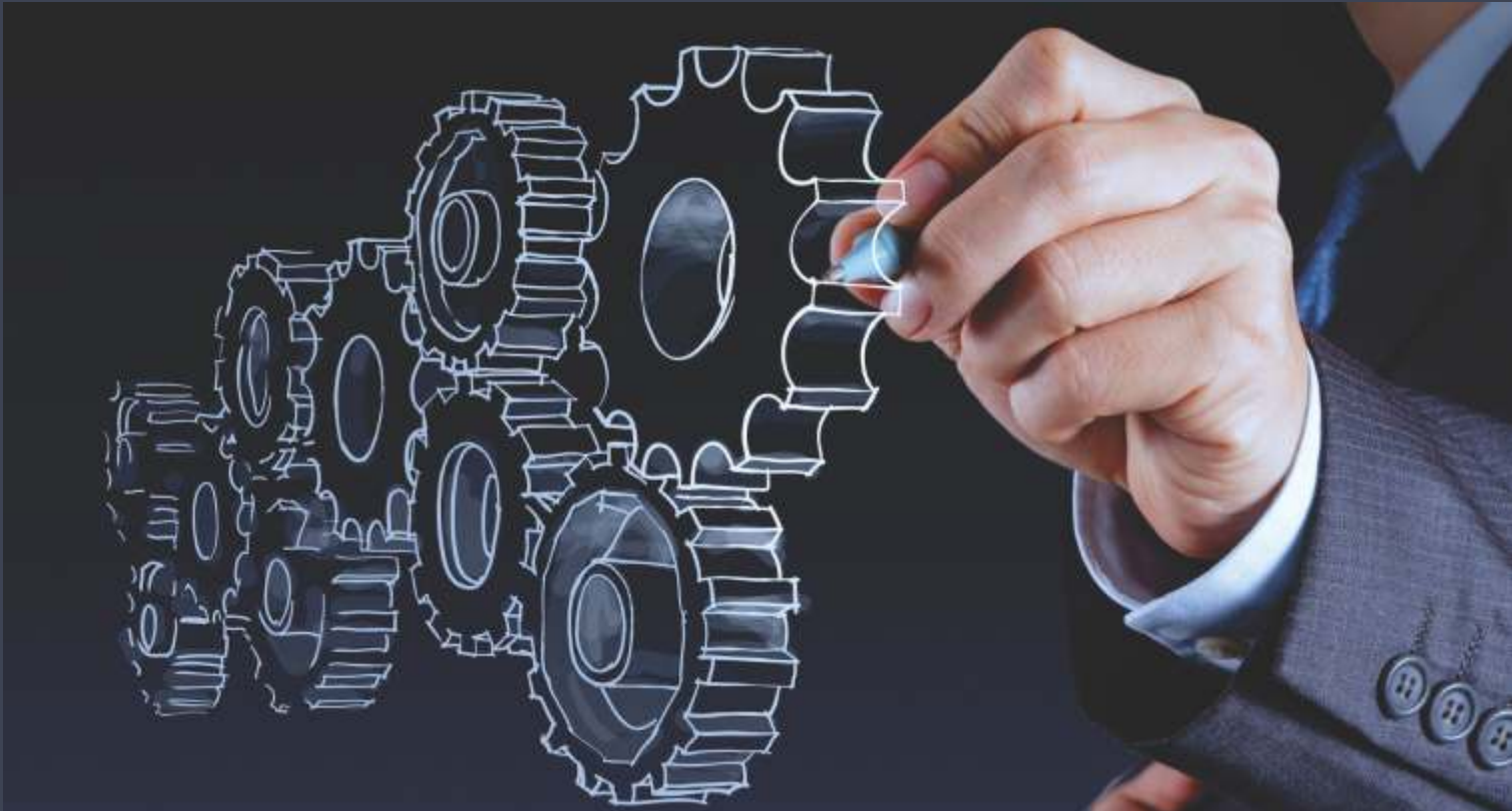
We, 'Mechocean Machines India Private Limited, (MMIPL)' are a fast-growing organization engaged in manufacturing a wide range of machines including Hydraulic Press, Hydraulic Cylinders, Broaching Machine, Industrial Component washing Machines, Test Rigs, SPM & Automation Systems etc. Furthermore, we make use of advanced technology to develop this gamut, to ensure fine finish and dimensional accuracy. Moreover, we follow moral business policies and crystal pure transparency in all our transactions to keep healthy relations with the customers.

Our team has been trained in such a manner to look after to any feedback from the client or any specifications they might come up with. The main reason behind our company progress is the persistent effort & support of our highly skilled team of personnel. Owing to our diligent workforce and fully-equipped infrastructure, we have been able to meet the increasing needs of the ever-changing market trends in the most efficient manner. Additionally, our deliberate and premeditated advance has aided us in dealing with various business operations that conform to the distinct industry standards.

Our Commitment

We (MMIPL), are committed to achieve customer delight by adopting continual improvement methods and reviewing periodically the effectiveness of quality management system. We shall achieve this goal by.

- To monitor manufacturing activity to achieve excellence of product quality. Quality as perceived by customer.
- To maintain total transparency in dealing with customers and meeting his demands.
- To provide customers support & service within stipulated time.
- Continual up gradation of technology to enhance product life and reliability through systemized manufacturing and installing processes.
- Continuous in-house and external training of all employees to upgrade their knowledge and improve their skills.
- Provide facilities and work environment that is safe, healthy & clean.



Our Team

Today, MMIPL is home to a team of devoted employees. MMIPL has a core group of professionals, who are well versed in the design and production of machine as per customer requirements. The team boasts of eminent professionals from different disciplines right from engineering to the management. we also organize essential training sessions for our professionals in order to enhance their proficiency in the respective domain.

Vision & Mission

"To become the benchmark manufacturing company for the machine building industry providing world-class products to customers through continuous improvement driven by the integrity, teamwork and creativity of our people."

To delight our Customers& Employees by consistently manufacturing high quality products through Innovation, Research and Development and by maintaining Global best practices in Quality standards and Safety.

Industry Specialization

- **Automobile Industry**
- **Defense**
- **Pharmaceuticals**
- **Rubber & Plastic Industry**
- **FMCG**
- **Railway**
- **Food Processing**
- **Chemical Industry**

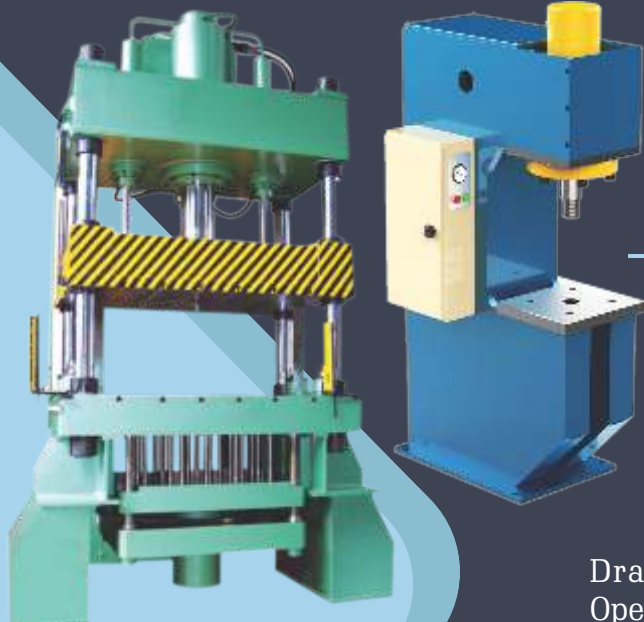
Products Portfolio

MMIPL caters to customized products as per the client requirement for Manufacturing, Supply, Installation and commissioning.

- Broaching Machines
- Hydraulic Presses
- Hydraulic Systems& Hydraulic SPM's
- CNC Systems
- Robotic Systems
- Industrial Component cleaning Machines
- SPM's and Automation Systems
- Material Handling Systems
- Test Rigs
- Hydraulic Cylinders
- Hydraulic Power Packs

Broaching Machines

MMIPL offers a wide range of broaching machine for keyway cutting, spline cutting, internal teeth cutting, Surface cutting and boring operations. We offers broaching machines from 3T to 25 Ton and stroke from 600- 2000 mm, which includes Vertical Pull/Push type Broaching, Horizontal Broaching Machines and Surface Broaching Machines.



Hydraulic Presses

We 'MMIPL' caters to wide variety of Hydraulic Presses, including C Frame , H Frame , 2 Pillar & 4 Pillar Presses in the capacity of 1T- 500 Tons for Cutting , Bending , Trimming, Embossing, Deep Drawing, Metal forming, Cold & Hot forging etc. Operations.

Hydraulic Systems and Hydraulic SPM's

Mechocean is the manufacturer of hydraulic systems, like Hydraulic Scrap Bailing Machines, Hydraulic Pipe Bending Machines, Hydraulic Fly Ash Brick Making Machines, Hydraulic Plywood Cold Presses and Rubber Compression & Transfer Molding machines Gravity Die Casting Machines and many more.



SPM's & Automation Systems



Mechocean is the leading manufacturer of Special Purpose machines and Customized Products. We provide SPM machines for assembly lines, Drilling & Tapping, Metal cutting, Finishing and material Handling operations.

Industrial Component Cleaning Machine

MMIPL is the leading manufacturer of Industrial Parts / Automobile Parts Cleaning and Plastic Bins Stack / Crate Washing Machines.

We offers Ultrasonic Cleaning/ Jet Spraying Cleaning Converyorised and Agitation Machines.



Test Rigs

MMIPL is having the expertise in Designing & Manufacturing of Hydraulic Test Rigs, Automobile Parts Testing Machines, Valves & Pump testing Units, Vibration Testing Equipments.



Hydraulic Power Packs & Cylinders

MMIPL offers high performance, durable, low maintenance, Hydraulic Power Packs with best quality hydraulic items of reputed brands like Vickers, Parker, Rexroth and Yuken.

MMIPL offers broad range of Hydraulic Cylinder including large & small size, high & low pressure, compact cylinders, Tie Rod type, Welded type, Telescopic Cylinders to meet the most demanding applications.



Service at MMIPL

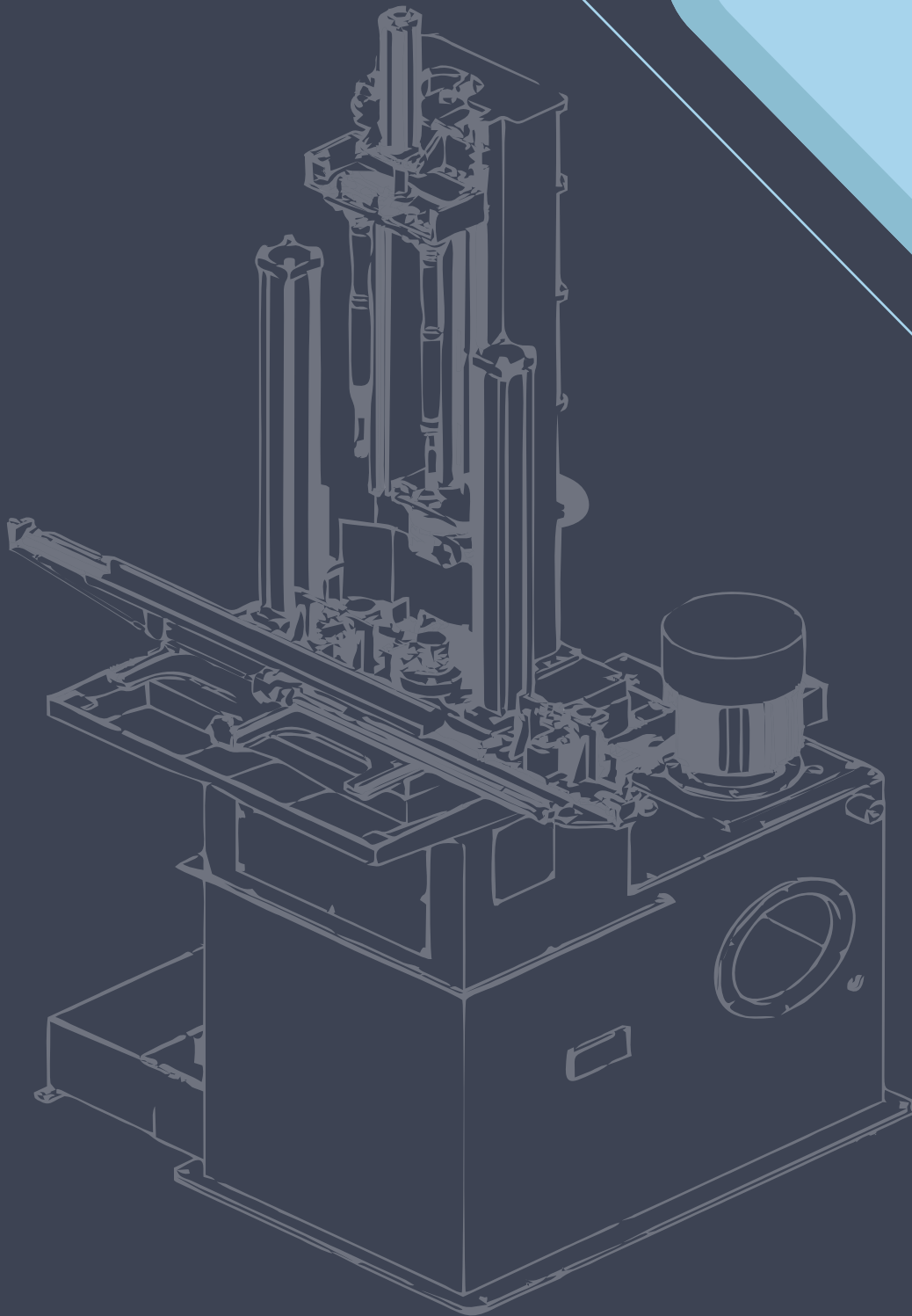
We offer quality and timely service to our clients in following manners.

- After Sales-Service Support
- AMC (Annual Maintenance Cost)
- PMC (Preventive Maintenance Cost)
- CAMC (Comprehensive Annual Maintenance Cost)
- SOD (Service On Demand)
- Spares Parts Supply (If Needed)
- Dedicated On Site Support (24x7)
- Modification and Retrofitting of machines

Notes

Mechocean
ENGINEERING | TRUST | QUALITY





MECHOCEAN MACHINES INDIA PVT. LTD.

Kh. No. 1073, Vikas Nagar,
Meerut Road, Ghaziabad-201003
Phone No. +91-8630114325, +91-9717223209
+91-9411111232

Email: info@mechocean.in | service@mechocean.in
mechoceanmachines@gmail.com

Website: www.mechocean.in

